

LAWSON

LAWSON INDUSTRIES, INC.

7030 N. W. 37th COURT

• Phone (305) 696-8660

• MIAMI, FLORIDA

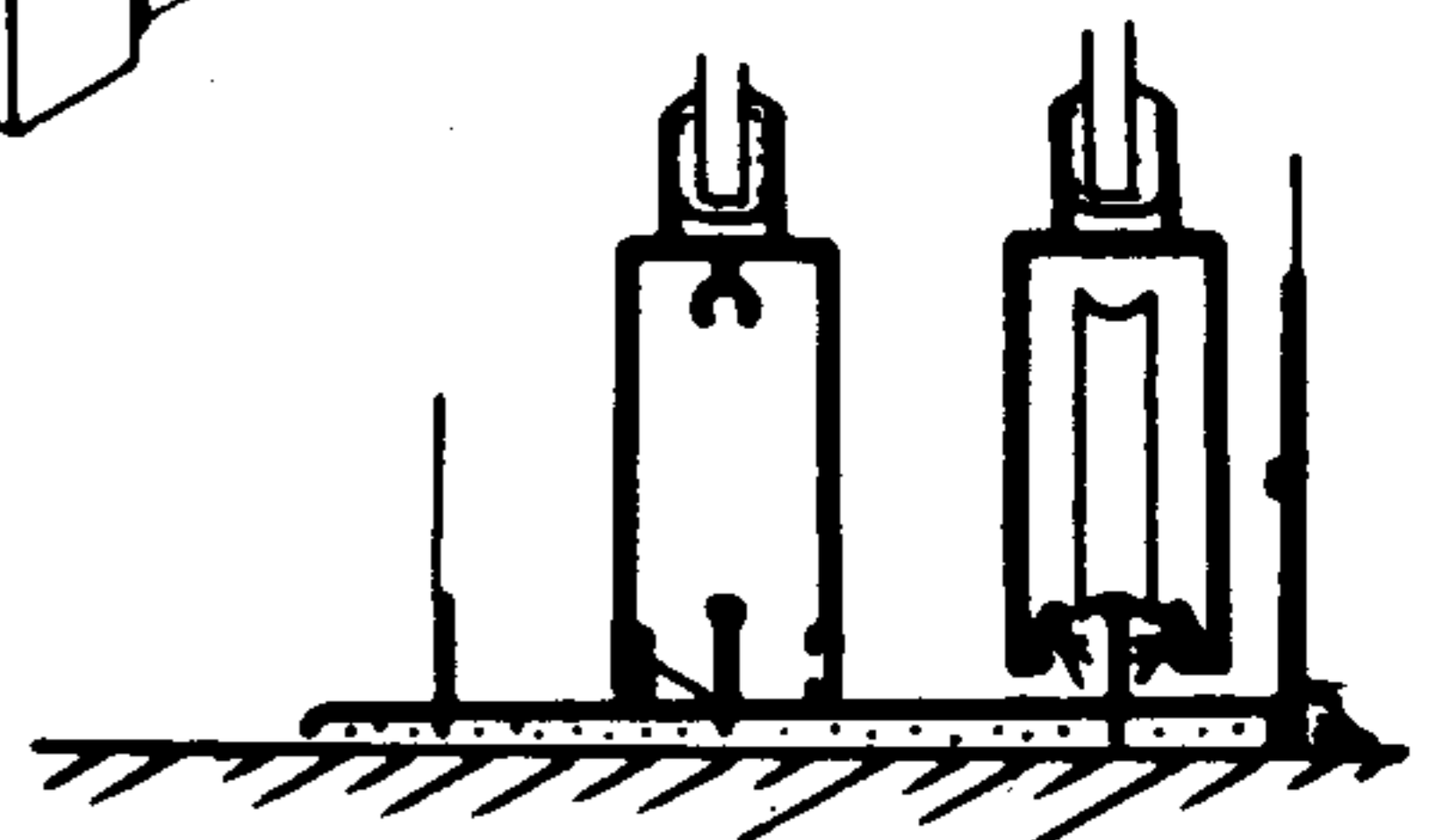
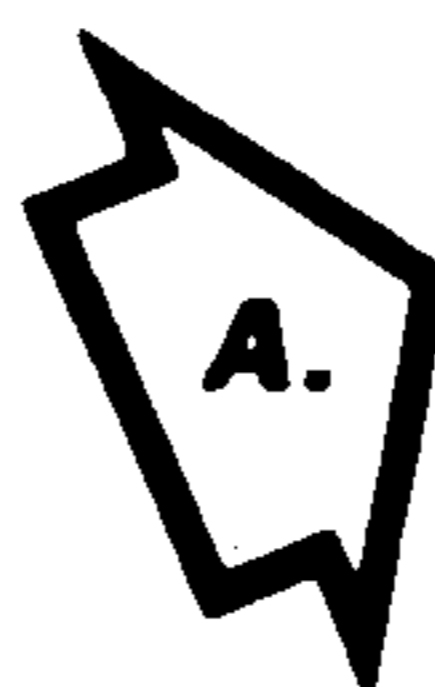
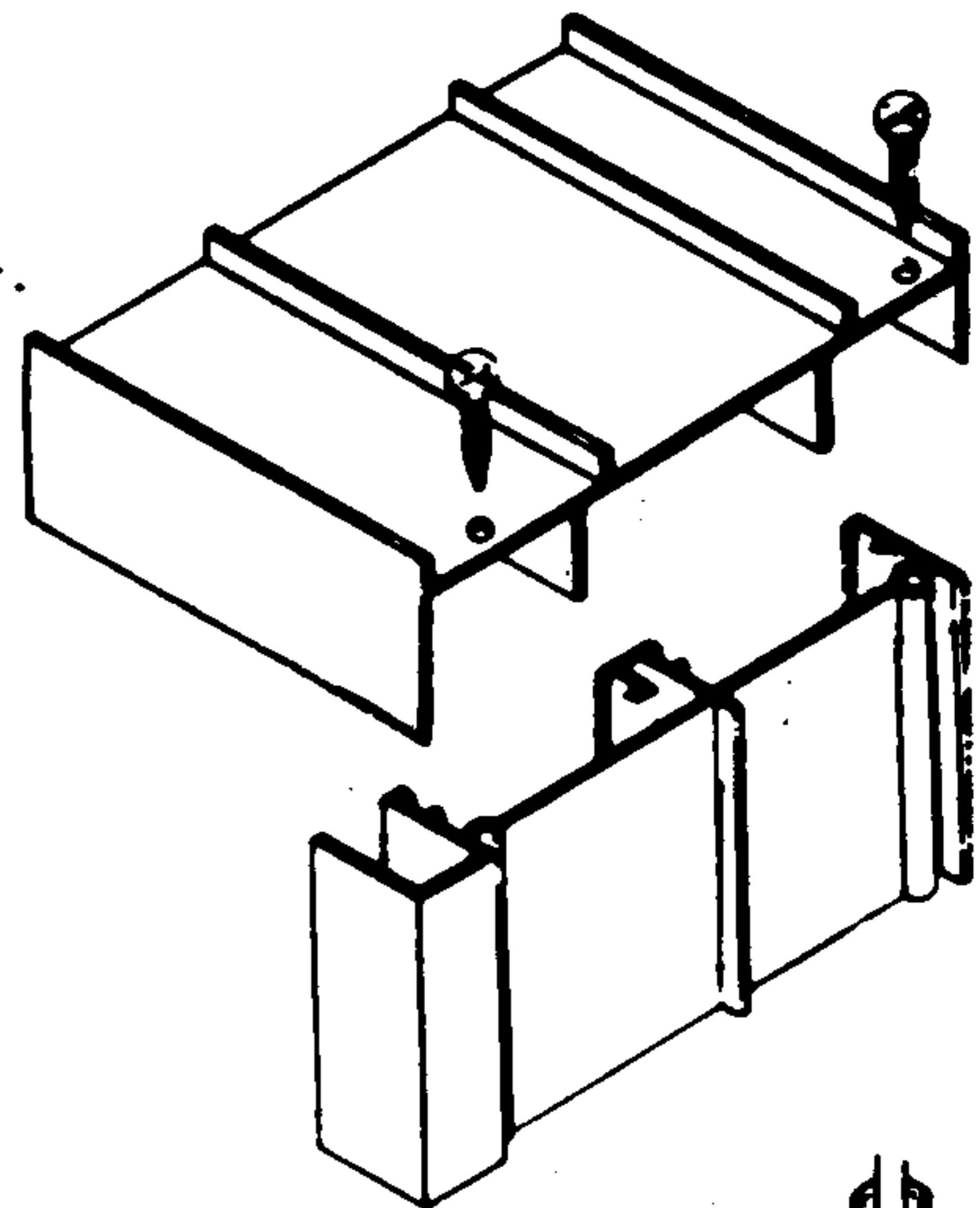
ASSEMBLY & INSTALLATION SHEET

GENERAL

1. Commercial tolerances will permit a plus or minus of 1/8".
2. Protect frame with light coating of oil, grease or soap. Action of lime in plaster can destroy finish.
3. Sill must be smooth, ..buff edges and fill valleys left by the mason. A ridge or lump could cause latching trouble.
4. If installed in wood surround, measure assembled door frame. Make surround to these dimensions.
5. If installed with shims, opening should be 1/4" larger than opening dimensions as indicated in brochure.

FRAME ASSEMBLY & INSTALLATION

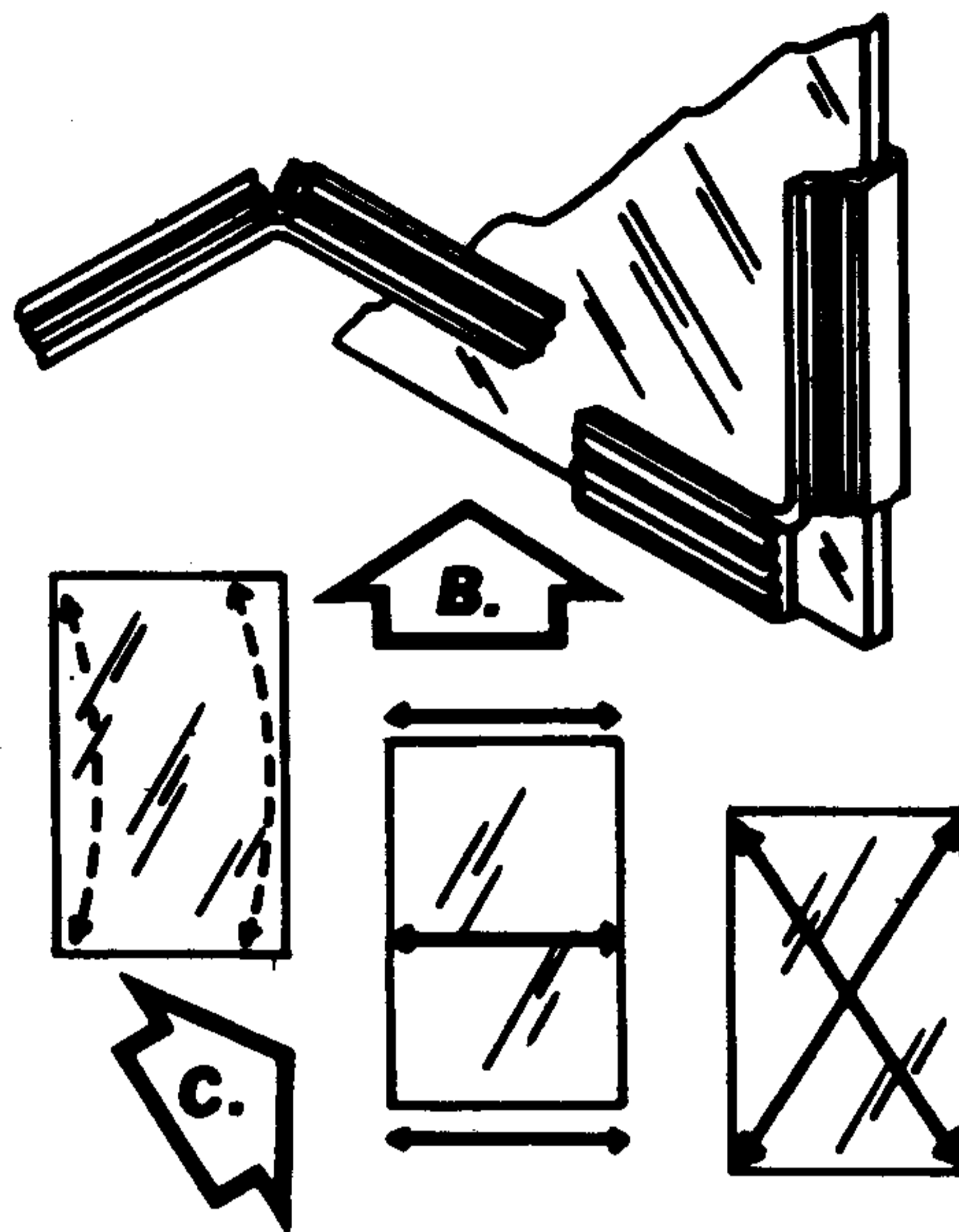
- 1 Assemble frame using (2) #6 x 3/8 pan head screws at each corner.
- 2 Caulk under entire length of sill track and behind corners where frame jamb and sill meet. (See Illust.A)
- 3 Place assembled frame into opening. Shim where necessary to insure that the frame is square and plumb. Be sure to shim behind all installation screws and near latch keeper to prevent distorting frame when installation screws are drawn up tight.
- 4 **IMPORTANT:** Frame head and track must be level and frame must be plumb at jambs. Measure at head, track and latch to be certain that the frame has not been bowed; either in or out.
- 5 Caulk all screw holes in track.
- 6 If unit is 3D-2T, follow steps #1, #2, 3 and 4...then first install Panel (A) with interlock out. Then install Panel (B) (moving panel)..and then Panel (A), pushing it into master frame jamb. Insert Panel (B) into astragal. Be sure interlocks engage properly, then secure fixed panels to master frame jambs.



**WE SUGGEST USE OF TEMPERED
GLASS IN ALL LAWSON DOORS**

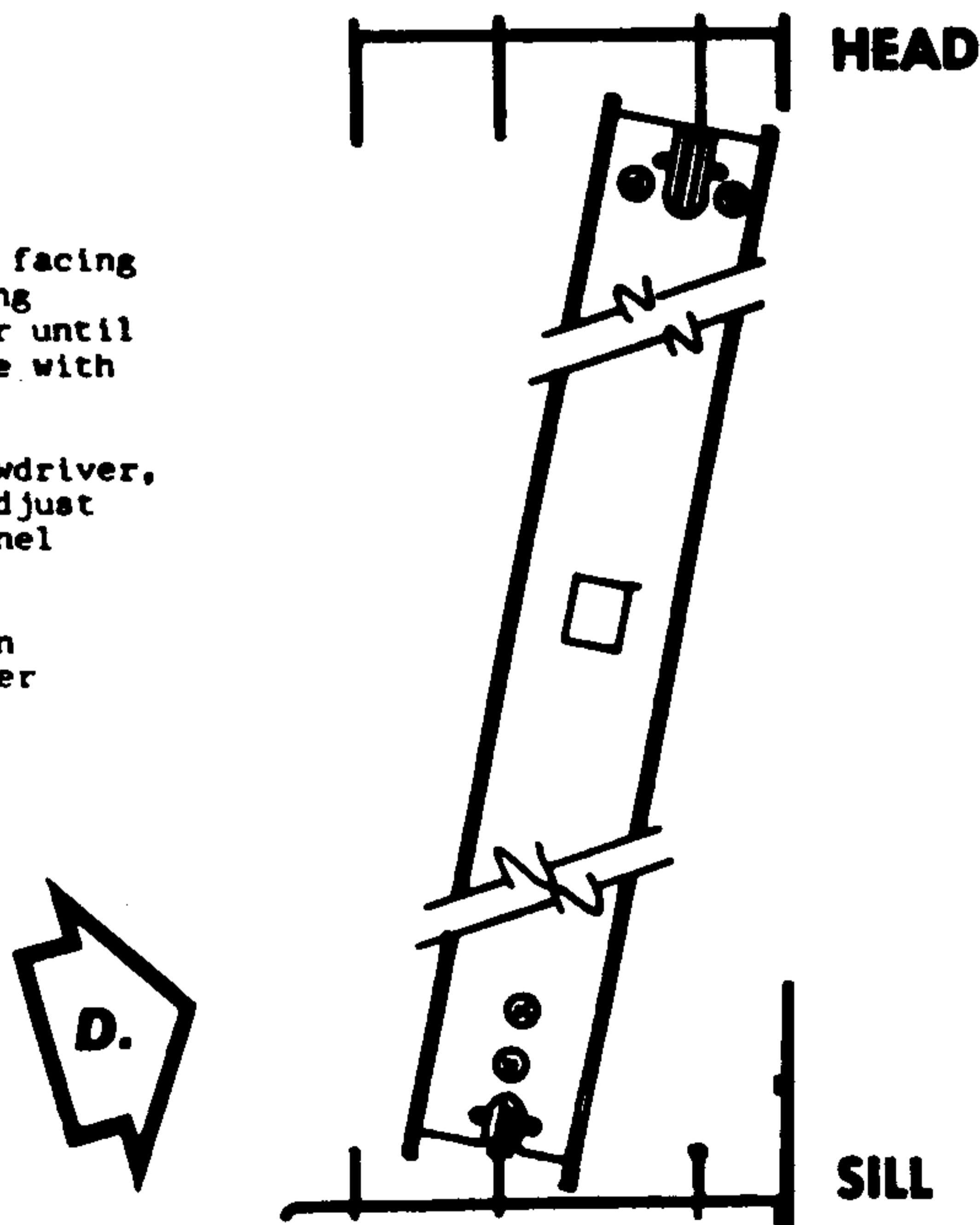
Panel Assembly

- Cut glass to size. Fix glazing channel over edge of glass. Cut channel (See Illust. B) $.3/8"$ before each corner, then stretch channel over corner, exposing the glass through hole.
- Place top and bottom rails over glazing channel and seat by rapping along the entire length with rubber mallet or wood block.
- Repeat Item #2 with the panel stiles. Insert nylon guides at top and bottom on each side of panel before tightening panel assembly screws. The short guide is installed at top.
- Be certain that panel frame is fully seated at head, sill and stiles by using rubber mallet or wood block; then draw up the two (2) #10 x $5/8"$ phillips head assembly screws on top rail and the two (2) #10 x 1" screws on bottom rail.
- **PANELS MUST BE SQUARE:** The width of a panel must measure the same at top, center and bottom, and the diagonal measurements, corner to corner, must be equal. Check panels for bow by using a level or plumb line. If bowing, or out of square is found, correct by using mallet or wood block until desired dimension is achieved, then re-tighten assembly screws. (See Illust. C)



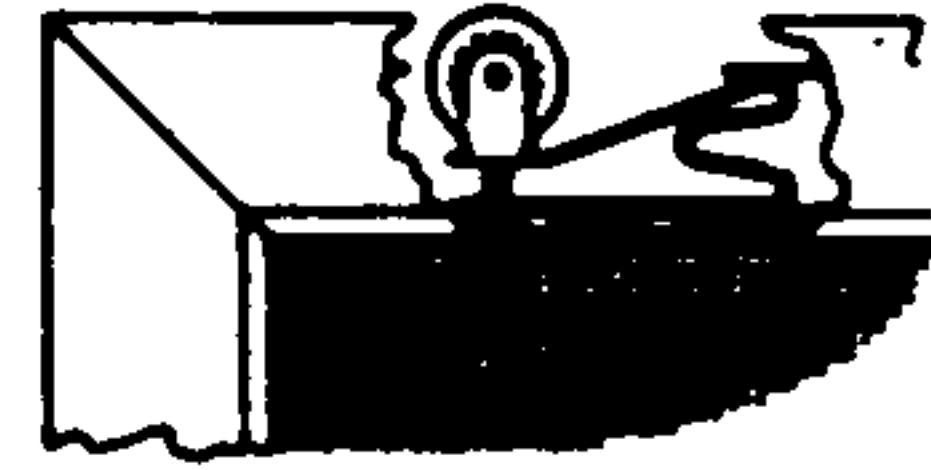
Panel Installation

- Always start with the inside panel. With the interlock facing out, insert header fin between nylon panel guides. Bring bottom of panel in until centered over track, then lower until wheels nest on track. (See Illust. D) Repeat procedure with outside panel, but with the interlock facing in.
- Movable panels may be adjusted by using a phillips screwdriver, turning either right or left to raise or lower wheel. Adjust until panel rolls freely. Be certain that frame and panel jambs are parallel.
- When panels are satisfactorily adjusted, latch keeper in frame jamb may be moved upward or downward to make proper contact with the latch bolt.



Screen Installation

Place screen on outside head and sill Mn. Adjust both rollers at the bottom to bring the screen to the desired height, and then adjust both rollers at the top to assure sufficient tension to prevent track jump. Slide panel the full length of the track. It should move easily and smoothly, or a re-adjustment is necessary. If screen does not latch, the nylon latch keeper on jamb may be moved upward or downward.



Hardware Features

Sliding glass door is available in your choice of . . . Standard Flush Mounted Recessed Pulls; beautifully grained wood handles or the gracefully sculptured satin finish (or chrome) metal handle as shown. Optional cylinder keylocks are flush mounted in the exterior pull and may be keyed alike or master keyed. Whether you select the basic flush mounted unit . . . or the deluxe handled units, you can be assured of years of dependable secure service.



Standard Flush Hardware



Optional Cylinder Keylock



Optional Metal Handle

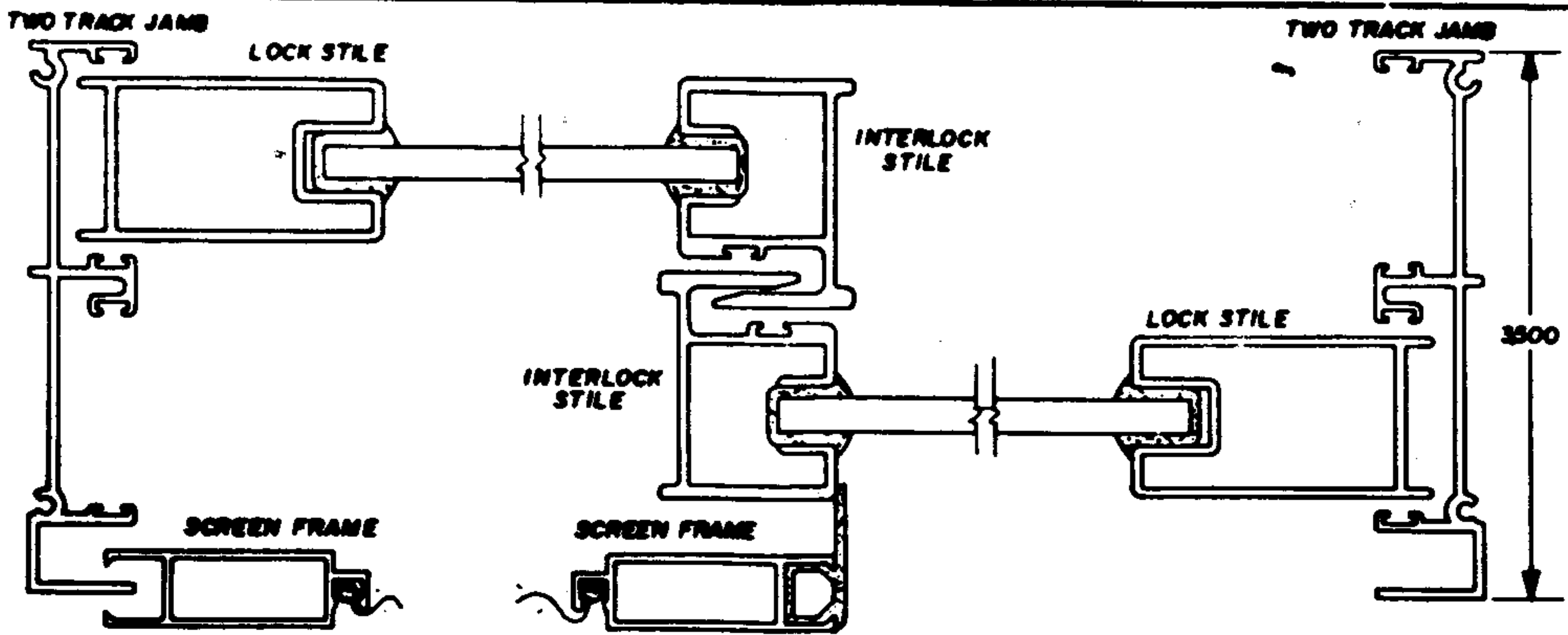


Optional Wood Handle

Reversing Panel

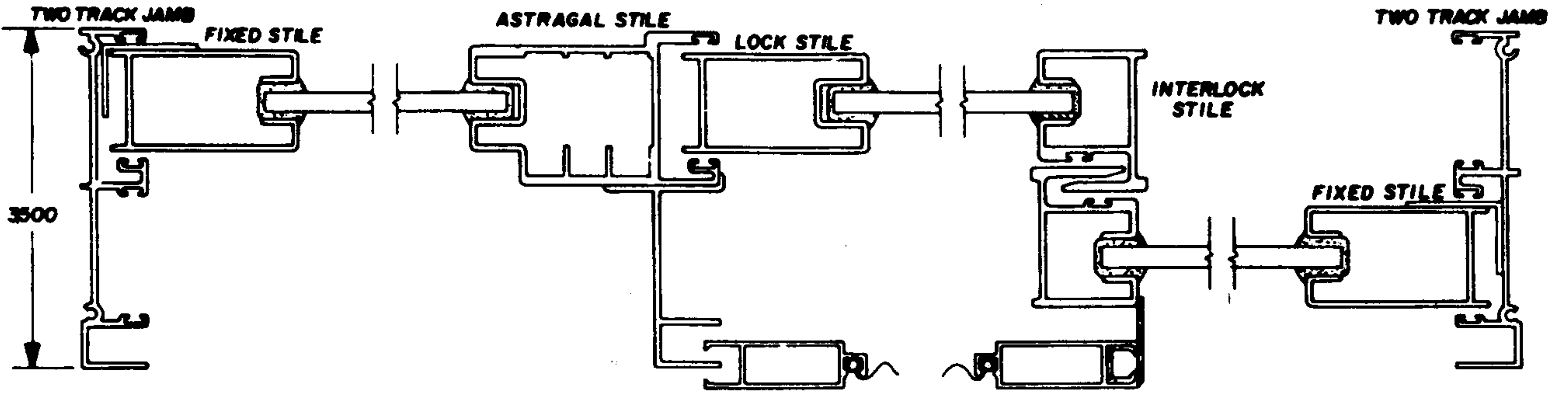
To reverse an XO to an OX (or vice-versa); . . . before sliding glass door is installed in opening; follow these steps:

- (1) Reverse master frame jambs to opposite side from their present positions.
- (2) Reverse position of keeper (turn upside down).
- (3) Change position (direction) of interlocks.

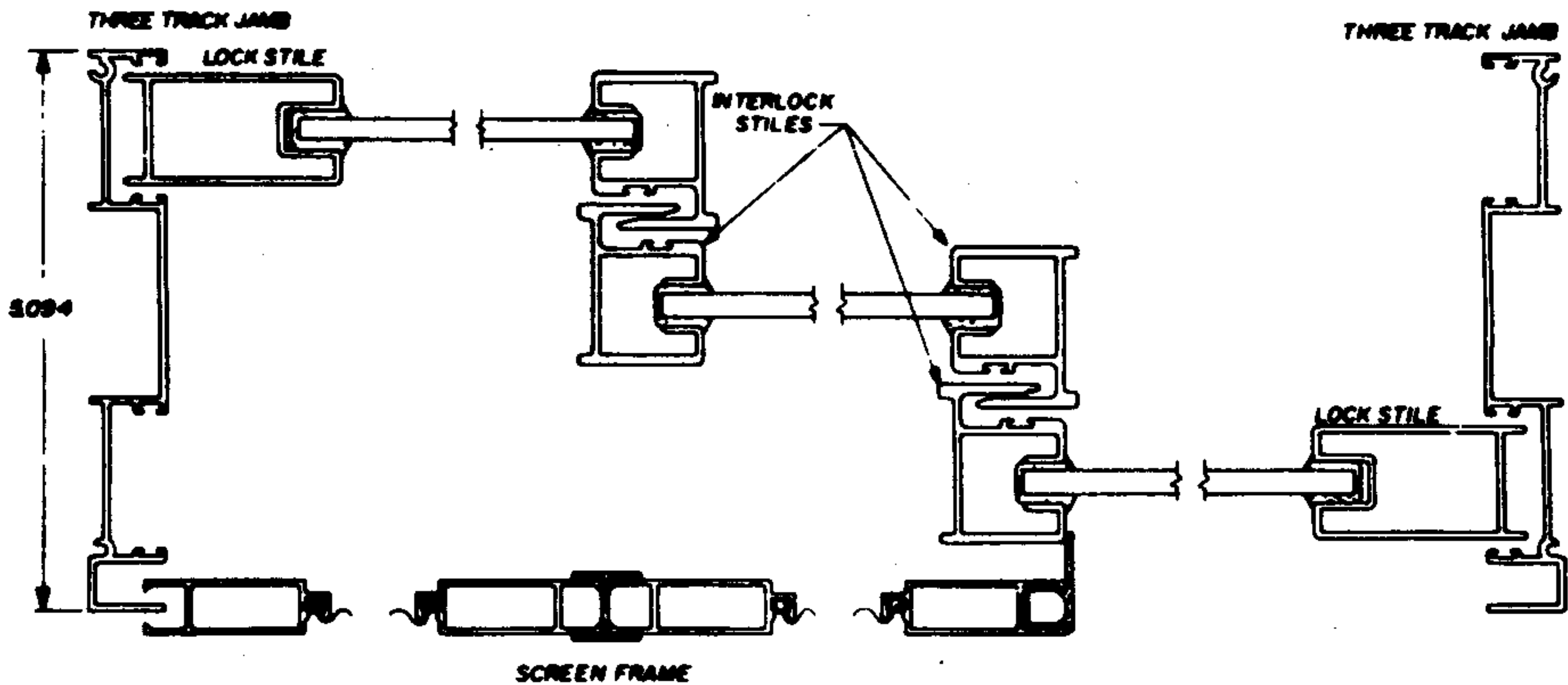


2D/2T

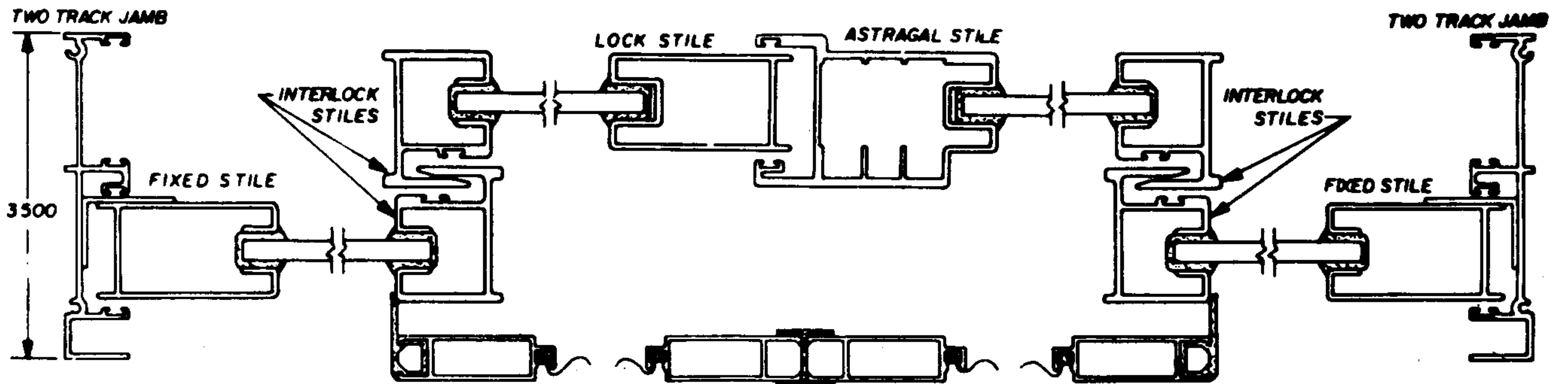
OPENING = DOOR WIDTH PLUS 1/2"



3D/2T



3D/3T



4D/2T

LAWSON INDUSTRIES, INC. invites your inquiries for additional technical data, sales information, full size details, etc. and extends (at no cost or obligation) to you, the full services of our design and engineering departments for consultation on projects requiring special sizes or product application.