



MIAMI-DADE COUNTY
BUILDING AND NEIGHBORHOOD COMPLIANCE DEPARTMENT (BNC)
BOARD AND CODE ADMINISTRATION DIVISION

MIAMI-DADE COUNTY, FLORIDA
PRODUCT CONTROL SECTION
 11805 SW 26th Street, Room 208
 Miami, Florida 33175-2474
 T (786) 315-2590 F (786) 315-2599

www.miamidade.gov/building

NOTICE OF ACCEPTANCE (NOA)

Lawson Industries, Inc.
8501 NW 90th Street
Medley, FL 33166

SCOPE:

This NOA is being issued under the applicable rules and regulations governing the use of construction materials. The documentation submitted has been reviewed and accepted by Miami-Dade County BNC-Product Control Section to be used in Miami-Dade County and other areas where allowed by the Authority Having Jurisdiction (AHJ).

This NOA shall not be valid after the expiration date stated below. The Miami-Dade County Product Control Section (In Miami-Dade County) and/or the AHJ (in areas other than Miami-Dade County) reserve the right to have this product or material tested for quality assurance purposes. If this product or material fails to perform in the accepted manner, the manufacturer will incur the expense of such testing and the AHJ may immediately revoke, modify, or suspend the use of such product or material within their jurisdiction. BNC reserves the right to revoke this acceptance, if it is determined by Miami-Dade County Product Control Section that this product or material fails to meet the requirements of the applicable building code. This product is approved as described herein, and has been designed to comply with the Florida Building Code, including the High Velocity Hurricane Zone.

DESCRIPTION: Series "9200" Aluminum Sliding Glass Door – L.M.I.

APPROVAL DOCUMENT: Drawing No. **L9200-1101**, titled "Series SGD-9200 Aluminum Sliding Glass Door (LMI)", sheets 1 through 5 of 5, prepared by manufacture, dated 10/21/2002 and last revised on 04/26/2011, signed and sealed by Thomas J. Sotos, P. E., bearing the Miami-Dade County Product Control Revision stamp with the Notice of Acceptance number and Expiration date by the Miami-Dade County Product Control Section.

MISSILE IMPACT RATING: Large and Small Missile Impact Resistant.

LABELING: Each unit shall bear a permanent label with the manufacturer's name or logo, city, state, model/ series and following statement: "Miami-Dade County Product Control Approved" unless otherwise noted herein.

RENEWAL of this NOA shall be considered after a renewal application has been filed and there has been no change in the applicable building code negatively affecting the performance of this product.

TERMINATION of this NOA will occur after the expiration date or if there has been a revision or change in the materials, use, and/or manufacture of the product or process. Misuse of this NOA as an endorsement of any product, for sales, advertising or any other purposes shall automatically terminate this NOA. Failure to comply with any section of this NOA shall be cause for termination and removal of NOA.

ADVERTISEMENT: The NOA number preceded by the words Miami-Dade County, Florida, and followed by the expiration date may be displayed in advertising literature. If any portion of the NOA is displayed, then it shall be done in its entirety.

INSPECTION: A copy of this entire NOA shall be provided to the user by the manufacturer or its distributors and shall be available for inspection at the job site at the request of the Building Official.

This NOA **revises NOA No. 08-0204.02** and consists of this page 1, evidence pages E-1 and E-2, as well as approval document mentioned above.

The submitted documentation was reviewed by **Jaime D. Gascon, P. E.**



J. Gascon
 6/24/11

NOA No. 11-0518.04
Expiration Date: February 13, 2013
Approval Date: June 30, 2011
 Page 1

NOTICE OF ACCEPTANCE: EVIDENCE SUBMITTED

A. DRAWINGS

1. Manufacturer's die drawings and sections.
2. Drawing No. **L9200-1101**, titled "Series SGD-9200 Aluminum Sliding Glass Door (LMI)", sheets 1 through 5 of 5, prepared by manufacture, dated 10/21/2002 and last revised on 04/26/2011, signed and sealed by Thomas J. Sotos, P. E.

B. TESTS

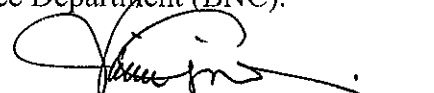
1. Test reports on:
 - 1) Air Infiltration Test, per FBC, TAS 202-94
 - 2) Uniform Static Air Pressure Test, Loading per FBC TAS 202-94
 - 3) Water Resistance Test, per FBC, TAS 202-94
 - 4) Large Missile Impact Test per FBC, TAS 201-94
 - 5) Cyclic Wind Pressure Loading per FBC, TAS 203-94
 - 6) Forced Entry Test, Type "C" sliding door, Grade 10, per FBC 2411.3.2.1, TAS 202-94 and per ASTM F 842-04along with marked-up drawings and installation diagram of an Aluminum Sliding Glass Door, prepared by Fenestration Testing Laboratory, Inc., Test Report No. **FTL-3525**, dated 08/23/2002, signed and sealed by Joseph Chan, P. E.
(Submitted under previous NOA No. 02-1126.04)
2. Test reports on:
 - 1) Uniform Static Air Pressure Test, Loading per FBC TAS 202-94
 - 2) Large Missile Impact Test per FBC, TAS 201-94
 - 3) Cyclic Wind Pressure Loading per FBC, TAS 203-94along with marked-up drawings and installation diagram of an Aluminum Sliding Glass Door, prepared by Fenestration Testing Laboratory, Inc., Test Report No. **FTL-3572**, dated 09/09/2002, signed and sealed by Joseph Chan, P. E.
(Submitted under previous NOA No. 02-1126.04)

C. CALCULATIONS

1. Anchor verification calculations and structural analysis, complying with FBC-2007, prepared by manufacture, dated 04/26/11 signed and sealed by Thomas J. Sotos, P. E.
Complies with ASTM E1300-04
2. Anchor verification calculations and structural analysis, complying with FBC, prepared by Al-Farooq Corporation, dated 07/10/2006 signed and sealed by Dr. Humayoun Farooq, P. E.
Complies with ASTM E1300-98/ 02
(Submitted under previous NOA No .06-0406.07)

D. QUALITY ASSURANCE

1. Miami-Dade Building and Neighborhood Compliance Department (BNC).



Jaime D. Gascon, P. E.
Product Control Section Supervisor
NOA No. 11-0518.04
Expiration Date: February 13, 2013
Approval Date: June 30, 2011

NOTICE OF ACCEPTANCE: EVIDENCE SUBMITTED

E. MATERIAL CERTIFICATIONS

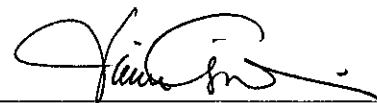
1. Notice of Acceptance No. **10-0413.04** issued to E. I. DuPont DeNemours & Co., Inc. for their "**DuPont Sentry Glass® Interlayer**" dated 05/26/2010, expiring on 01/14/2012.
2. Notice of Acceptance No. **10-0922.09** issued to E. I. DuPont DeNemours & Co., Inc. for their "**DuPont Butacite® PVB, Interlayer**" dated 12/24/2010, expiring on 12/11/2011.

F. STATEMENTS

1. Statement letter of conformance, no financial interest and compliance with the **FBC-2007**, dated 05/02/2011, signed and sealed by Thomas J. Sotos, P. E.
2. Letter of *Adoption of as his Own, the Work of another Engineer* per Section 61G15-27 of the FBPE, dated 05/02/11 signed and sealed by Thomas J. Sotos, P. E.
3. Laboratory compliance letter for Test Reports No.'s **FTL-3525** and **FTL-3572**, issued by Fenestration Testing Laboratory, Inc., dated 08/23 and 09/09/2002, both signed and sealed by Joseph Chan, P. E.
(Submitted under previous NOA No. 02-1126.04)

G. OTHERS

1. Notice of Acceptance No. **08-0204.02**, issued to Lawson Industries, Inc. for their Series "**9200 Aluminum Sliding Glass Door-LMI**", approved on 03/14/2008 and expiring on 02/13/2013.



Jaime D. Gascon, P. E.
Product Control Section Supervisor
NOA No. 11-0518.04
Expiration Date: February 13, 2013
Approval Date: June 30, 2011

SGD-9200 ALUMINUM SLIDING GLASS DOOR

DESIGN LOAD RATING FOR THESE DOORS TO BE AS PER CHART SHOWN.

THIS PRODUCT HAS BEEN DESIGNED AND TESTED TO COMPLY WITH THE REQUIREMENTS OF THE FLORIDA BUILDING CODE 2007 EDITION INCLUDING HIGH VELOCITY HURRICANE ZONE (HVHZ).

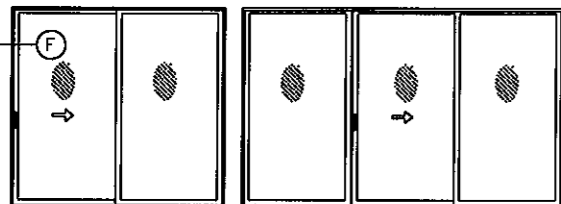
WOOD BUCKS BY OTHERS, MUST BE ANCHORED PROPERLY TO TRANSFER LOADS TO THE STRUCTURE.

ANCHORS SHALL BE AS LISTED, SPACED AS SHOWN ON DETAILS, ANCHORS EMBEDMENT TO BASE MATERIAL SHALL BE BEYOND WALL DRESSING OR STUCCO. ANCHORING OR LOADING CONDITIONS NOT SHOWN IN THESE DETAILS ARE NOT PART OF THIS APPROVAL.

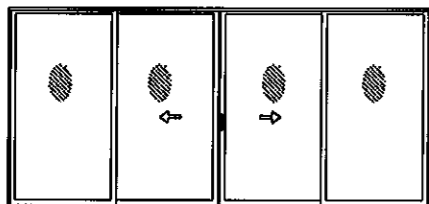
A LOAD DURATION INCREASE IN ALLOWABLE STRESS IS USED IN DESIGN OF ANCHORS INTO WOOD ONLY.

PANEL MAX. D.L.O.:

- 3/0 X 6/8 = 32-3/4" X 74-3/4"
- 4/0 X 6/8 = 44-3/4" X 74-3/4"
- 4/11 X 6/8 = 55-3/4" X 74-3/4"
- 3/0 X 8/0 = 32-3/4" X 90-3/4"
- 4/0 X 8/0 = 44-3/4" X 90-3/4"



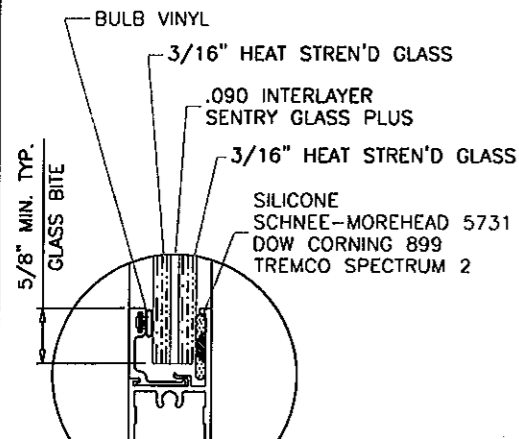
OX OR XO OXO



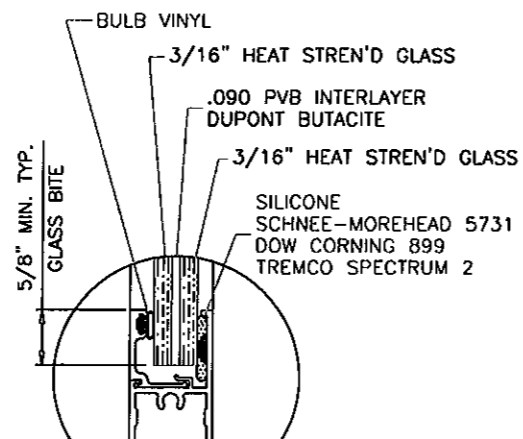
OXXO

APPROVED CONFIGURATIONS

TWO TRACK FRAME DOOR CONFIGURATIONS OF MORE THAN FOUR PANELS USING STILE COMBINATIONS SHOWN IN THESE DETAILS MAY ALSO BE APPROVED (EXAMPLE OOXOO).



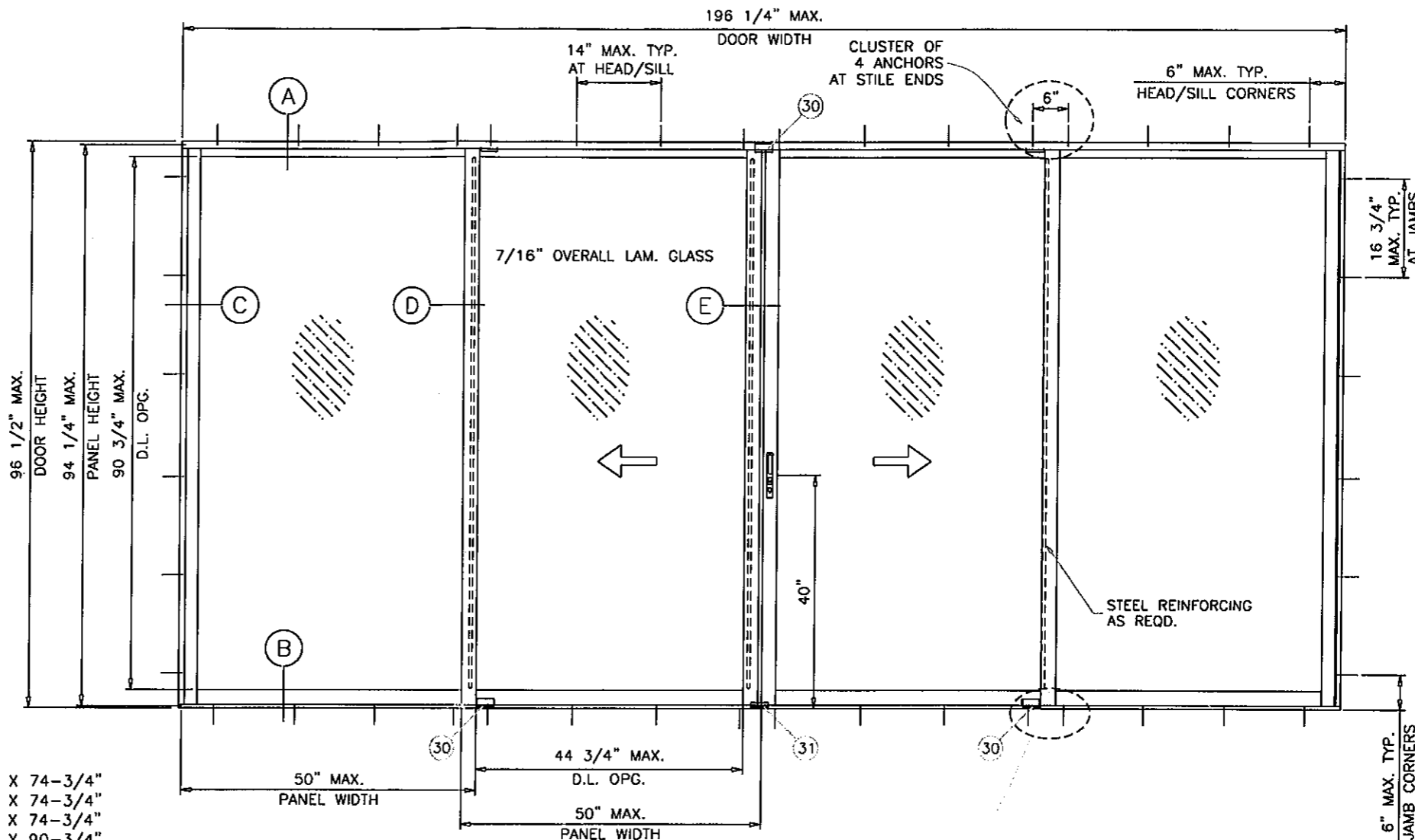
GLASS TYPE 'A'



GLASS TYPE 'B'

PANEL MAX. D.L.O.:

- 3/0 X 6/8 = 32-3/4" X 74-3/4"
- 4/0 X 6/8 = 44-3/4" X 74-3/4"
- 4/11 X 6/8 = 55-3/4" X 74-3/4"
- 3/0 X 8/0 = 32-3/4" X 90-3/4"
- 4/0 X 8/0 = 44-3/4" X 90-3/4"



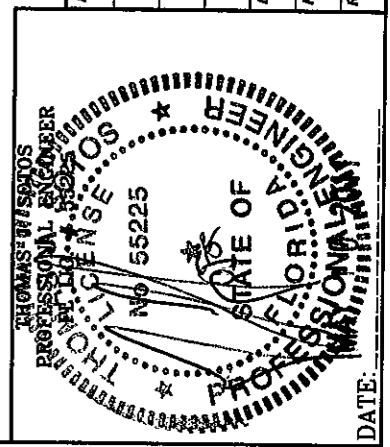
**TYPICAL ELEVATION
TESTED UNIT**

DOORS GLAZED WITH LAMINATED GLASS RATED FOR LARGE MISSILE IMPACT AND REQUIRE NO SHUTTERS.

**LAMINATED GLASS
LARGE MISSILE IMPACT**

DESIGN LOAD CAPACITY - PSF GLASS TYPES 'A' OR 'B'							
PANEL WIDTH NOMINAL FT./IN.	DOOR HEIGHT FT./IN. (# Anchors)	STANDARD SILL		2-1/4" RISER		3" RISER	
		EXT. (+)	INT. (-)	EXT. (+)	INT. (-)	EXT. (+)	INT. (-)
2/6	6/8 (6)	40.7	60.0	56.7	60.0	60.0	60.0
3/0		40.7	60.0	56.7	60.0	60.0	60.0
3/6		40.7	60.0	56.7	60.0	60.0	60.0
4/0		40.7	60.0	56.7	60.0	60.0	60.0
4/6		40.7	60.0	56.7	60.0	60.0	60.0
4/11	8/0 (7)	40.7	60.0	56.7	60.0	60.0	60.0
2/6		40.7	60.0	56.7	60.0	60.0	60.0
3/0		40.7	60.0	56.7	60.0	60.0	60.0
3/6		40.7	60.0	56.7	60.0	60.0	60.0
4/0		40.7	60.0	56.7	60.0	60.0	60.0

PRODUCT REVISED
as complying with the Florida
Building Code
Acceptance No. 11-0518.04
Expiration Date 02/13/2013
By: [Signature]
Miami Dade Product Control

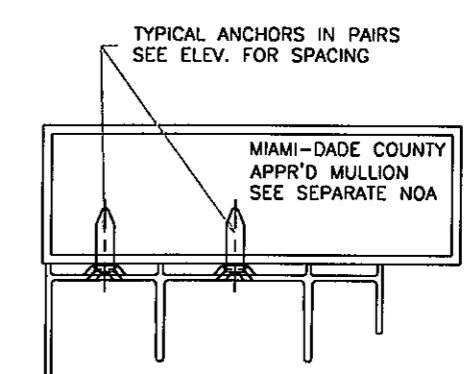
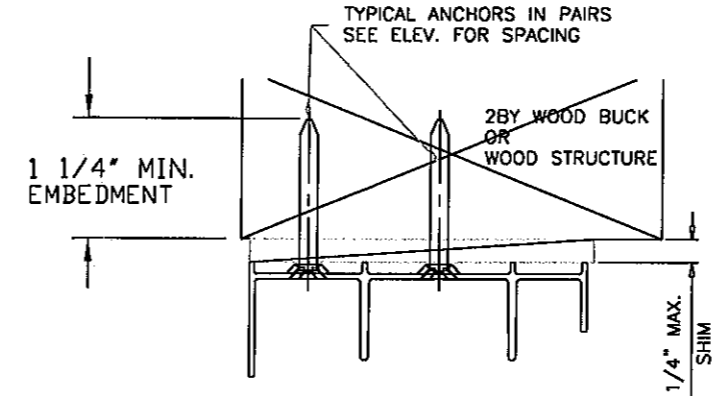
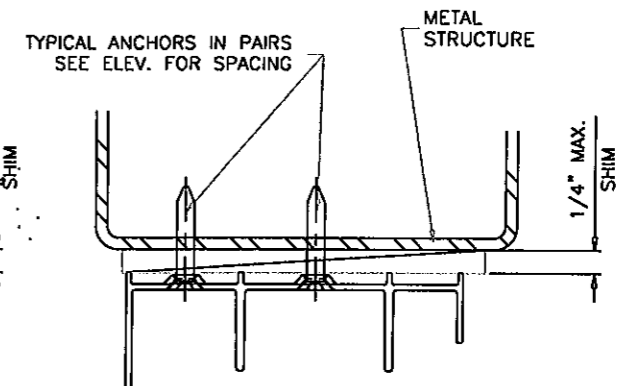
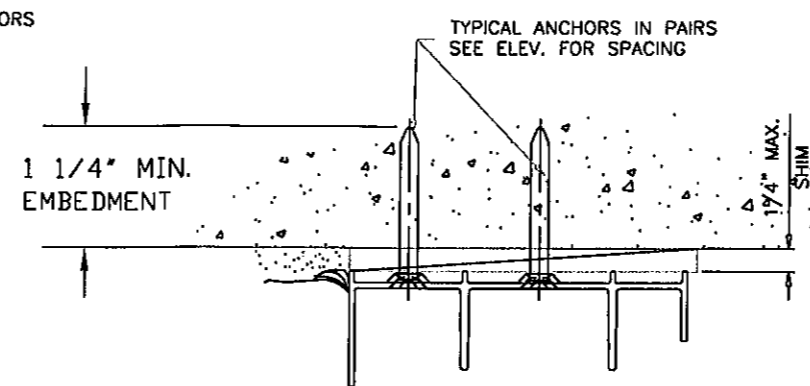
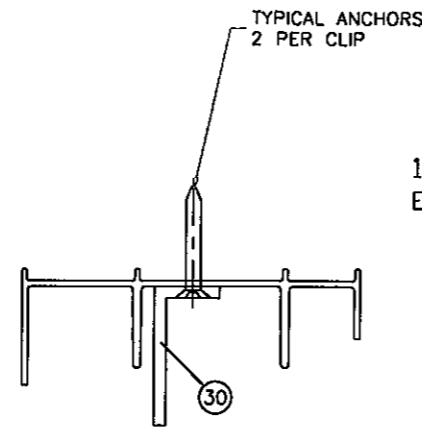
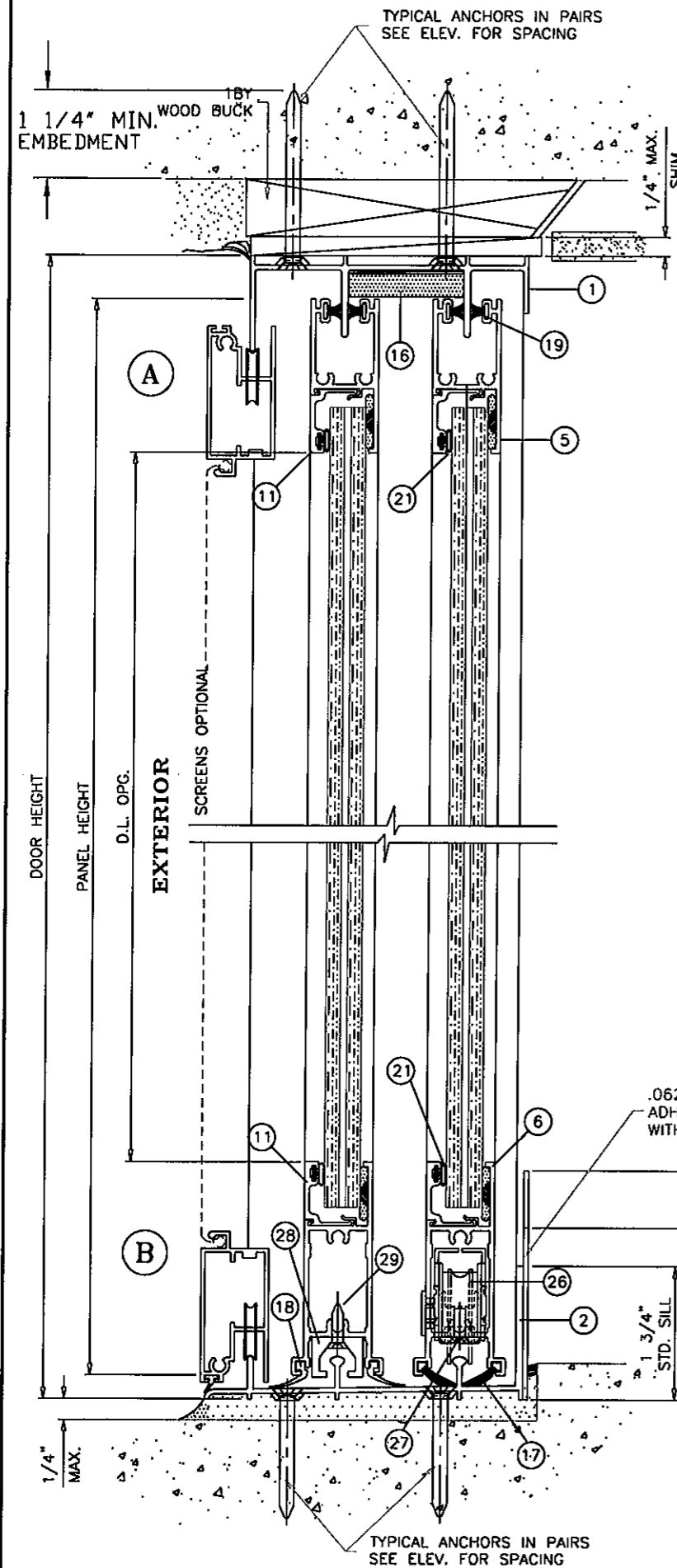


LAWSON
INDUSTRIES, INC.

MANUFACTURER OF QUALITY ALUMINUM WINDOWS AND GLASS DOORS
SGD-9200 ALUMINUM SLIDING GLASS DOOR (L.M.I.)
APPROVED ELEVATIONS, GENERAL NOTES, GLAZING DETAILS & DP LOAD CHARTS

8501 N.W. 90 ST.
MEDLEY, FLORIDA 33166
PH No. (305) 696-8660

Revision # 1 OF 5
Drawing Number: L9200-1101
Product Reference Number: L9200-1101
Date Drawn: 04/26/11
Date Revised:
Scale:
Drawn By: N. ERAZO
Revised By:
Revision Level:



WOOD BUCKS AND METAL STRUCTURES NOT BY LAWSON IND. MUST SUPPORT LOADS IMPOSED BY GLAZING SYSTEM AND TRANSFER THEM TO THE BUILDING STRUCTURE.

TYPICAL ANCHORS: SEE ELEV. FOR SPACING

1/4" DIA TAPCONS
 INTO 2BY WOOD BUCKS OR WOOD STRUCTURE
 1-1/4" MIN. PENETRATION INTO WOOD
 THRU 1BY WOOD BUCKS INTO MASONRY OR CONC.
 1-1/4" MIN. EMBED INTO MASONRY OR CONC.
 DIRECTLY INTO (3 KSI MIN.) CONCRETE OR MASONRY
 1-1/4" MIN. EMBED INTO CONCRETE OR MASONRY

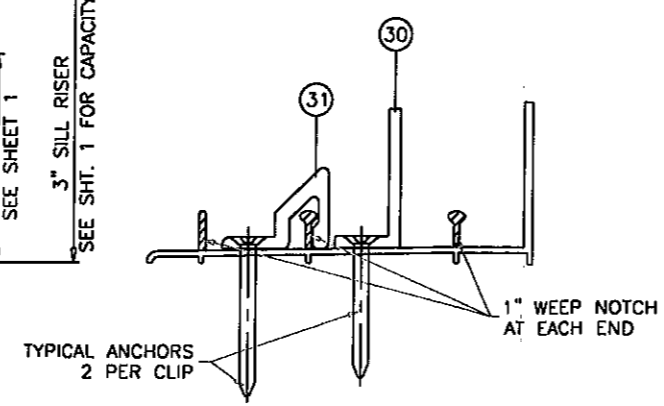
1/4" DRILLFLEX SELF DRILLING SCREWS
 INTO METAL STRUCTURES
 STEEL : 12 GA. MIN. (Fy = 36 KSI MIN.)
 ALUMINUM : 1/8" THK. MIN. (6063-T5 MIN.)
 (STEEL IN CONTACT WITH ALUMINUM TO BE PLATED OR PAINTED)

#10 SMS
 INTO APPROVED MULLIONS (NO SHIM SPACE)

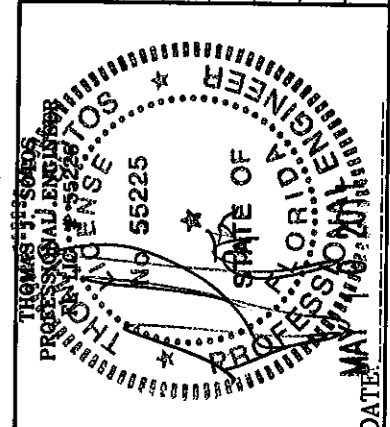
TYPICAL EDGE DISTANCE
 INTO (3 KSI MIN.) CONCRETE AND MASONRY = 2" MIN.
 INTO WOOD STRUCTURE = 1" MIN.
 INTO METAL STRUCTURE = 3/4" MIN.

SEALANTS:

FRAME AND VENT CORNERS AND INSTALLATION SCREWS AT SILL SEALED WITH WHITE/ALUMINUM COLORED SEALANT.



PRODUCT REVISED as complying with the Florida Building Code
 Acceptance No. 11-9518.04
 Expiration Date 02/13/2013
 By [Signature]
 Miami Dade Product Control

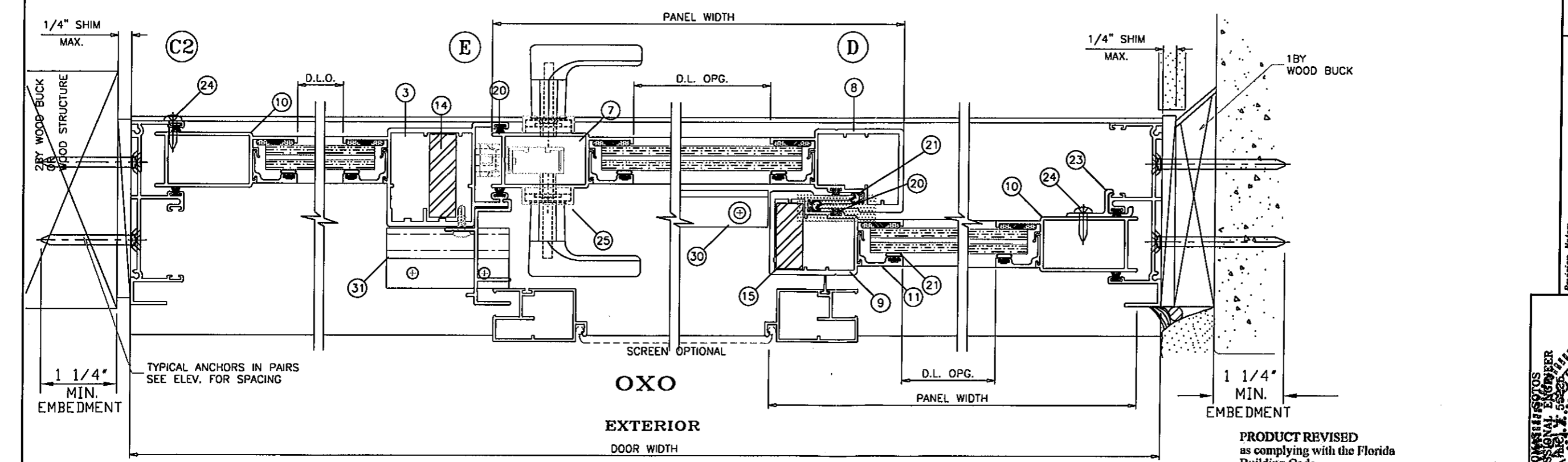
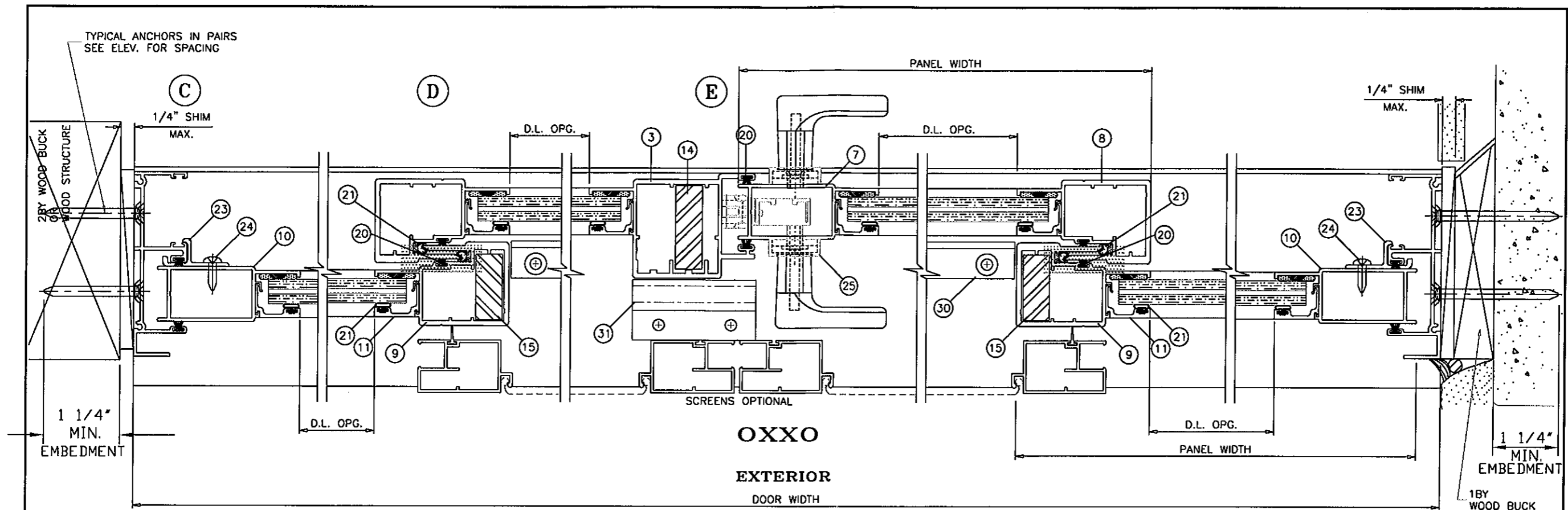


LAWSON INDUSTRIES, INC.

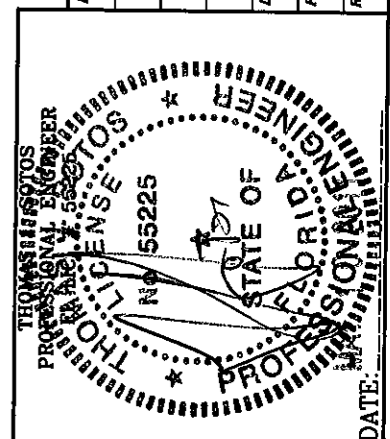
8501 N.W. 90 ST.
 MEDLEY, FLORIDA 33166
 PH No. (305) 696-8660

MANUFACTURER OF QUALITY ALUMINUM WINDOWS AND GLASS DOORS
 SGD-9200 ALUMINUM SLIDING GLASS DOOR (L.M.I.)
 VERTICAL CROSS SECTIONS, DETAILS & ANCHOR NOTES

Revision Number:	L9200-1101
Sheet:	2 OF 5
Revision #:	
Product Reference Number:	
Drawing Number:	
Date Drawn:	04/26/11
Date Revised:	
Scale:	
Drawn By:	N. ERAZO
Revised By:	
Revision Level:	



PRODUCT REVISED
 as complying with the Florida
 Building Code
 Acceptance No. **11-0518.04**
 Expiration Date **02/13/2013**
 By *[Signature]*
 Miami Dade Product Control



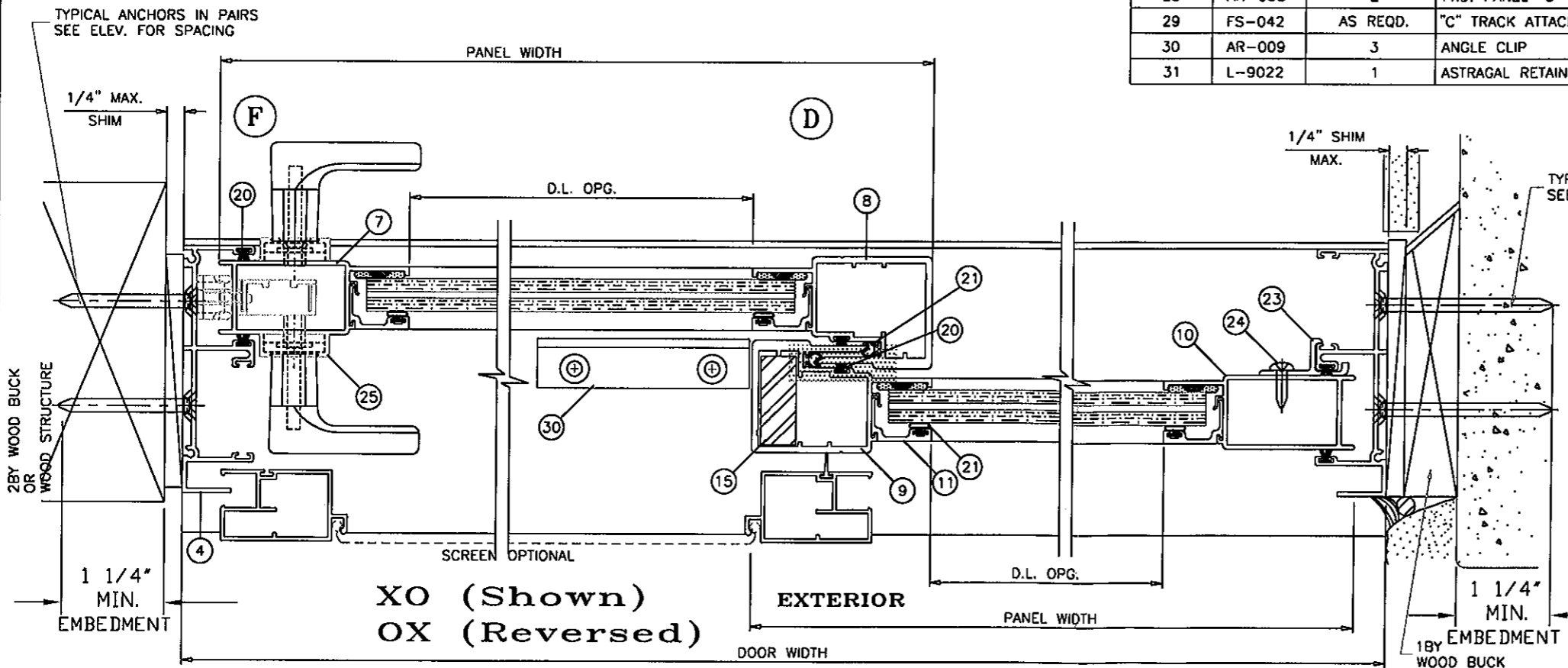
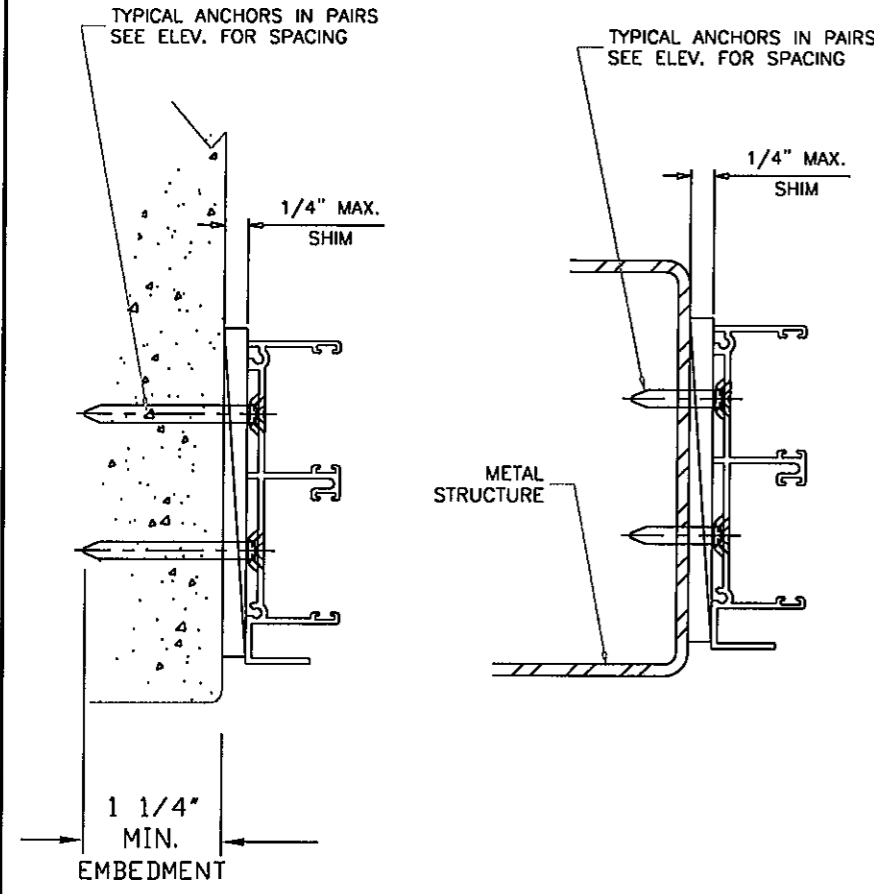
LAWSON
 INDUSTRIES, INC.

8501 N.W. 90 ST.
 MEDLEY, FLORIDA 33166
 PH No. (305) 696-8660

MANUFACTURER OF QUALITY ALUMINUM WINDOWS AND GLASS DOORS
SGD-9200 ALUMINUM SLIDING GLASS DOOR (L.M.I.)
 THREE DOOR AND FOUR DOOR HORIZONTAL CROSS SECTIONS

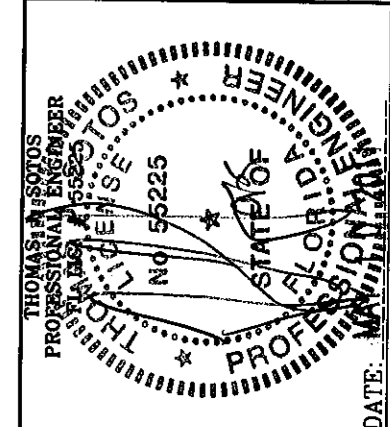
Drawing Number: **L9200-1101** Sheet: **3 OF 5** Revision #:

Revision Note:	Drawn By: N. ERAZO	Date Drawn: 04/26/11	Scale:
	Revised By:	Date Revised:	
	Revision Level:		



SGD-9200 ALUMINUM SLIDING GLASS DOOR BILL OF MATERIALS					
ITEM #	PART #	QUANTITY	DESCRIPTION	MATERIAL	MANF./SUPPLIER/REMARKS
1	L-9211	1	FRAME HEAD	6063-T6	-
2	L-9002	1	FRAME SILL - 1 3/4" HI	6063-T6	-
3	L-9207	1	ASTRAGAL STILE	6063-T6	-
4	L-9212	2	FLANGE FRAME JAMB	6063-T5	-
5	L-9204	1	PANEL TOP RAIL	6063-T5	-
6	L-9205	1	PANEL BOTTOM RAIL	6063-T5	-
7	L-9201	1	PANEL LOCK STILE	6063-T6	-
8	L-9202	1	PANEL INTERIOR INTERLOCK	6063-T6	-
9	L-9203	1	PANEL EXTERIOR INTERLOCK	6063-T6	-
10	L-9201	1	PANEL FIXED STILE	6063-T6	-
11	L-9209	AS REQ'D.	ALUMINUM GLAZING BEAD	6063-T5	-
12	FS-005	AS REQ'D.	FRAME ASSEMBLY SCREWS	-	#8 X 1/2" P.H. PHILLIPS
13	FS-013	AS REQ'D.	PANEL ASSEMBLY SCREWS	-	#10 X 1" P.H. PHILLIPS
14	AR-021	1	COLD ROLLED STEEL BAR	-	1/2" X 1 1/2"
15	AR-020	AS REQD.	COLD ROLLED STEEL BAR	-	1/2" X 1 1/4"
16	L-9016	1	SELF ADHESIVE PILE PAD	-	13/16" X 1 1/2"
17	PWS-016	AS REQ'D.	MVG. BOTTOM RAIL WTS'P	-	ULTRAFAB #QB6757DK
18	VWS-016	AS REQ'D.	FXD. BOTTOM RAIL WTS'P	-	VINYL FLAP #VV-2087
19	PWS-009	AS REQ'D.	PANEL TOP RAIL WTS'P	-	.187"x.310" (7830-6001-1)
20	PWS-003	AS REQ'D.	FIN SEAL WEATHERSTRIP	-	.187"x.210" (7820-6001-9)
21	VWS-004	AS REQ'D.	BULB WTS'P.	VINYL	1/4" O.D.
22	HC-043	2X PANEL	PANEL TOP GUIDE	NYLON	-
23	L-9018	7/ FIX. PANEL	FIXED PANEL JAMB CLIP	6063-T5	-
24	FS-011	1 X CLIP	FIXED PANEL CLIP SCREW	-	#10 X 5/8" P.H./PHIL.
25	HC-047	1	MORTISE LOCK HARDWARE	-	W/ HANDLES & KEEPER
26	HC-046	2	MVG. PANEL TANDEM ROLLER	-	2 X EA. MVG. BOT. RAIL
27	FS-003	2	ROLLER ATTACHMENT SCREW	-	#8 X 1/2" F.H./PHIL.
28	AR-008	2	FXD. PANEL "C" TRACK CLIP	-	6" LONG, EA. FXD. BOT. RAIL
29	FS-042	AS REQD.	"C" TRACK ATTACHMENT SCREW	-	#10 X 1" F.H./PHIL.
30	AR-009	3	ANGLE CLIP	ALUMINUM	.704" X 1.50" X 125" X 3"
31	L-9022	1	ASTRAGAL RETAINER CLIP	6063-T5	-

PRODUCT REVISED
 as complying with the Florida
 Building Code
 Acceptance No. 11-0518.04
 Expiration Date 02/13/2013
 By: *[Signature]*
 Miami Dade Product Control



LAWSON INDUSTRIES, INC.

8501 N.W. 90 ST.
 MEDLEY, FLORIDA 33166
 PH No. (305) 696-8660

MANUFACTURER OF QUALITY ALUMINUM WINDOWS AND GLASS DOORS

SGD-9200 ALUMINUM SLIDING GLASS DOOR (L.M.I.)

BILL OF MATERIALS, INSTALLATION DETAILS & TWO DOOR HORIZONTAL CROSS SECTION

Revision: **19200-1101**

Sheet: **4 OF 5**

Drawing Number: **19200-1101**

Product Reference Number: **19200-1101**

Scale: **1/4" = 1'-0"**

Date Drawn: **04/28/11**

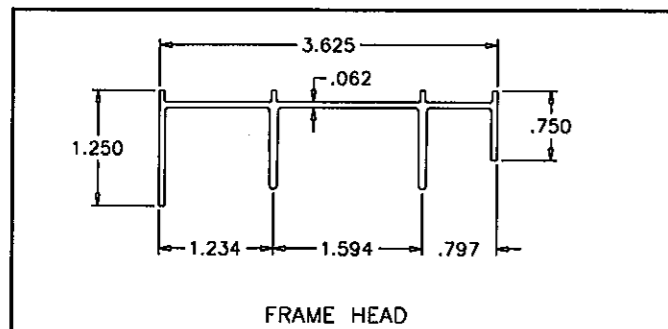
Date Revised: **02/13/13**

Drawn By: **N. ERAZO**

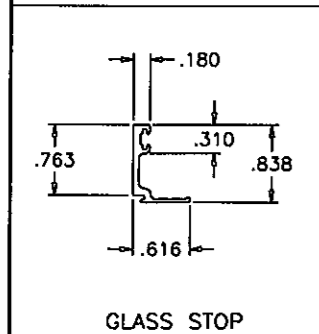
Revised By: **[Signature]**

Revision Level: **1**

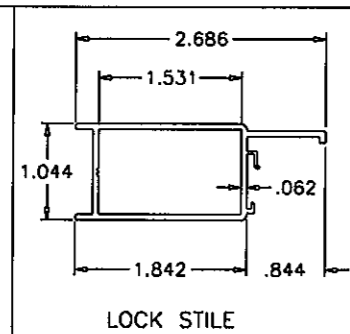
Revision Notes:



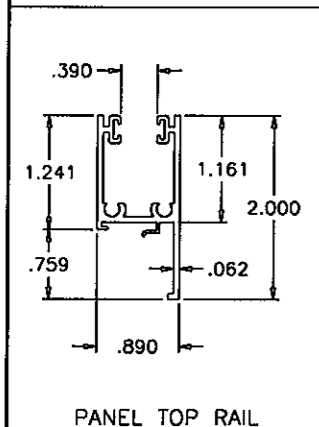
FRAME HEAD



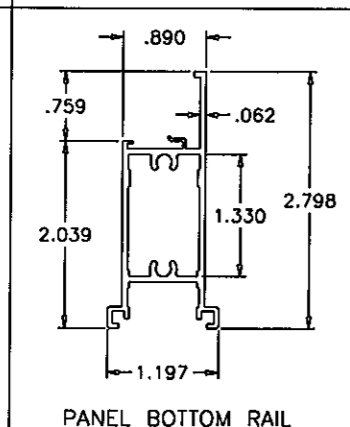
GLASS STOP



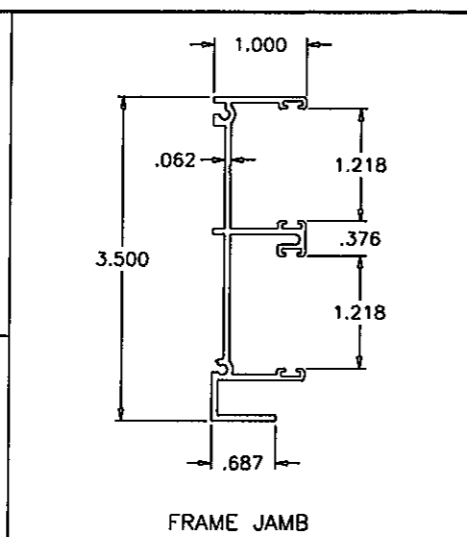
LOCK STILE



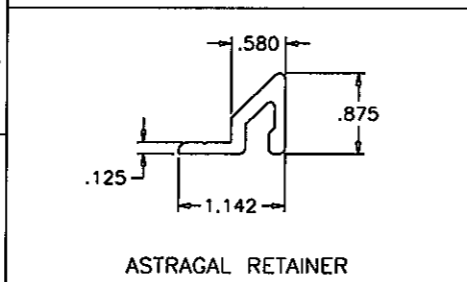
PANEL TOP RAIL



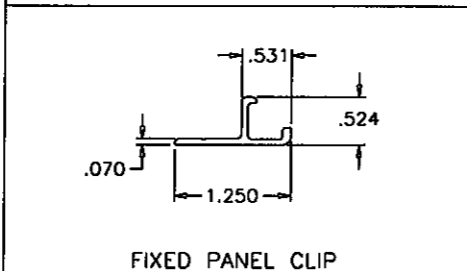
PANEL BOTTOM RAIL



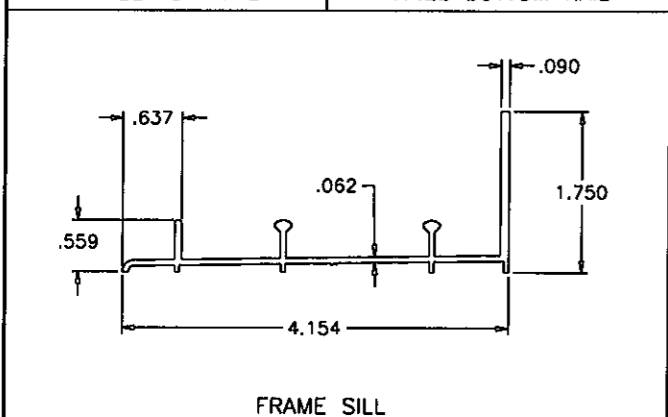
FRAME JAMB



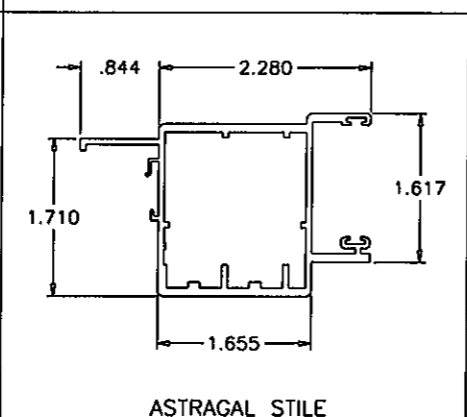
ASTRAGAL RETAINER



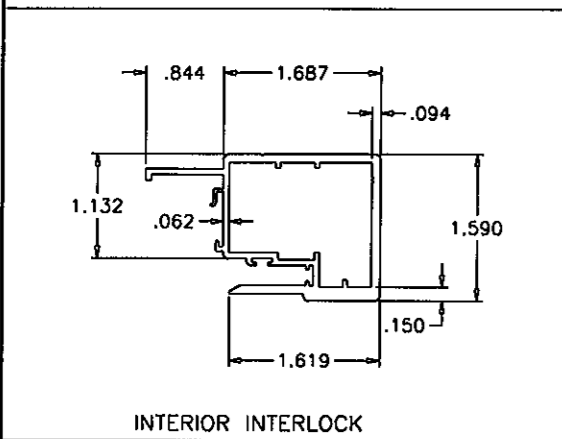
FIXED PANEL CLIP



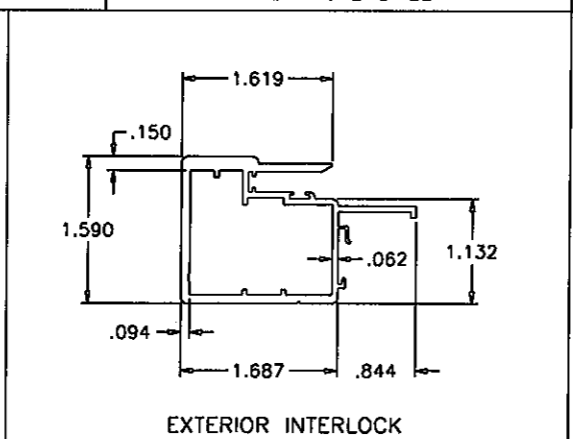
FRAME SILL



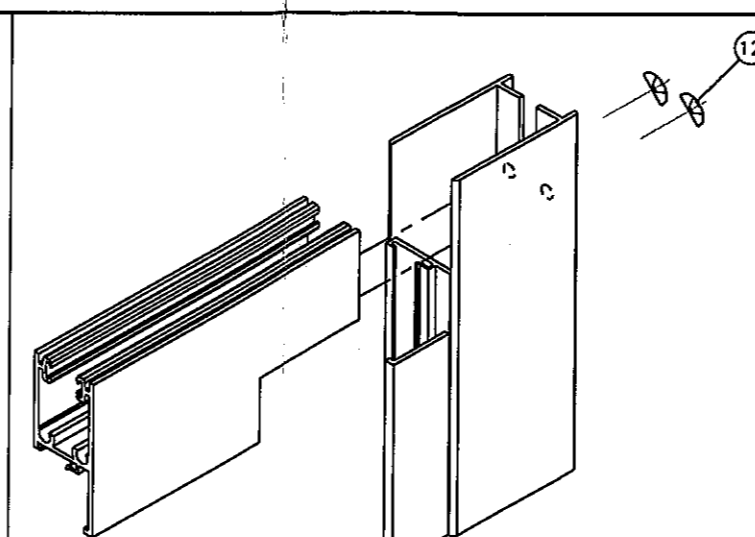
ASTRAGAL STILE



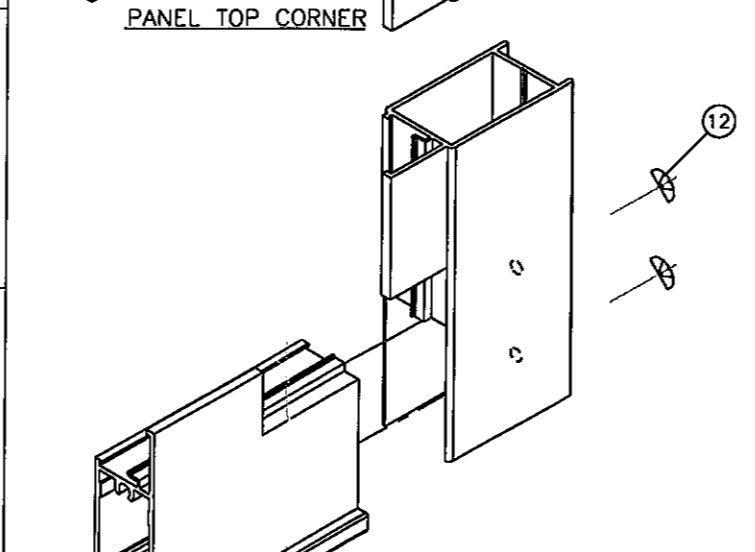
INTERIOR INTERLOCK



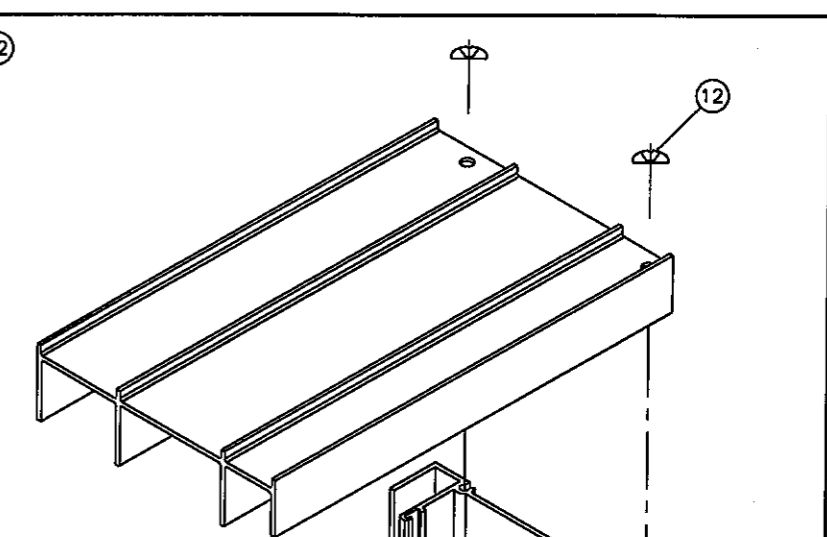
EXTERIOR INTERLOCK



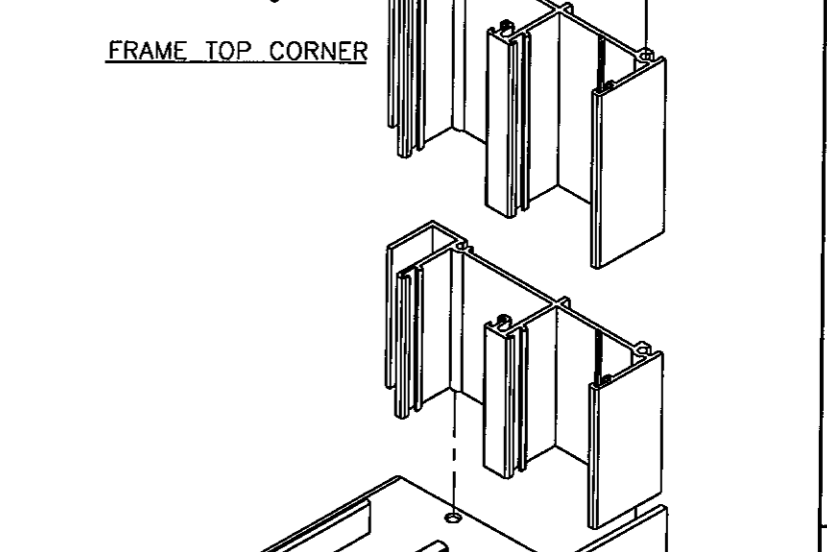
PANEL TOP CORNER



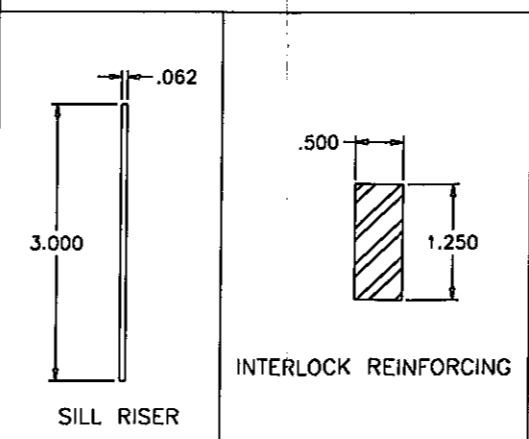
PANEL BOTTOM CORNER



FRAME TOP CORNER



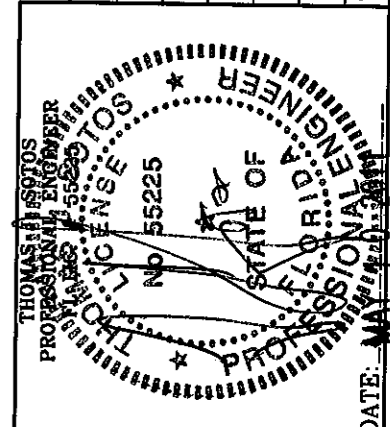
FRAME BOTTOM CORNER



SILL RISER

INTERLOCK REINFORCING

PRODUCT REVISED
 as complying with the Florida
 Building Code
 Acceptance No. 11-0518.04
 Expiration Date 02/13/2013
 By: [Signature]
 Miami Dade Product Control



LAWSON
 INDUSTRIES, INC.

8501 N.W. 90 ST.
 MEDLEY, FLORIDA 33166
 PH No. (305) 696-8660

MANUFACTURER OF QUALITY ALUMINUM WINDOWS AND GLASS DOORS

SGD-9200 ALUMINUM SLIDING GLASS DOOR (L.M.I.)
 EXTRUSION DETAILS & CORNER ASSEMBLY DETAILS

Revision Notes:	Date Drawn: 04/28/11	Date Revised:	Scale:
Drawn By: N. ERAZO			
Revised By:			
Revision Level:			